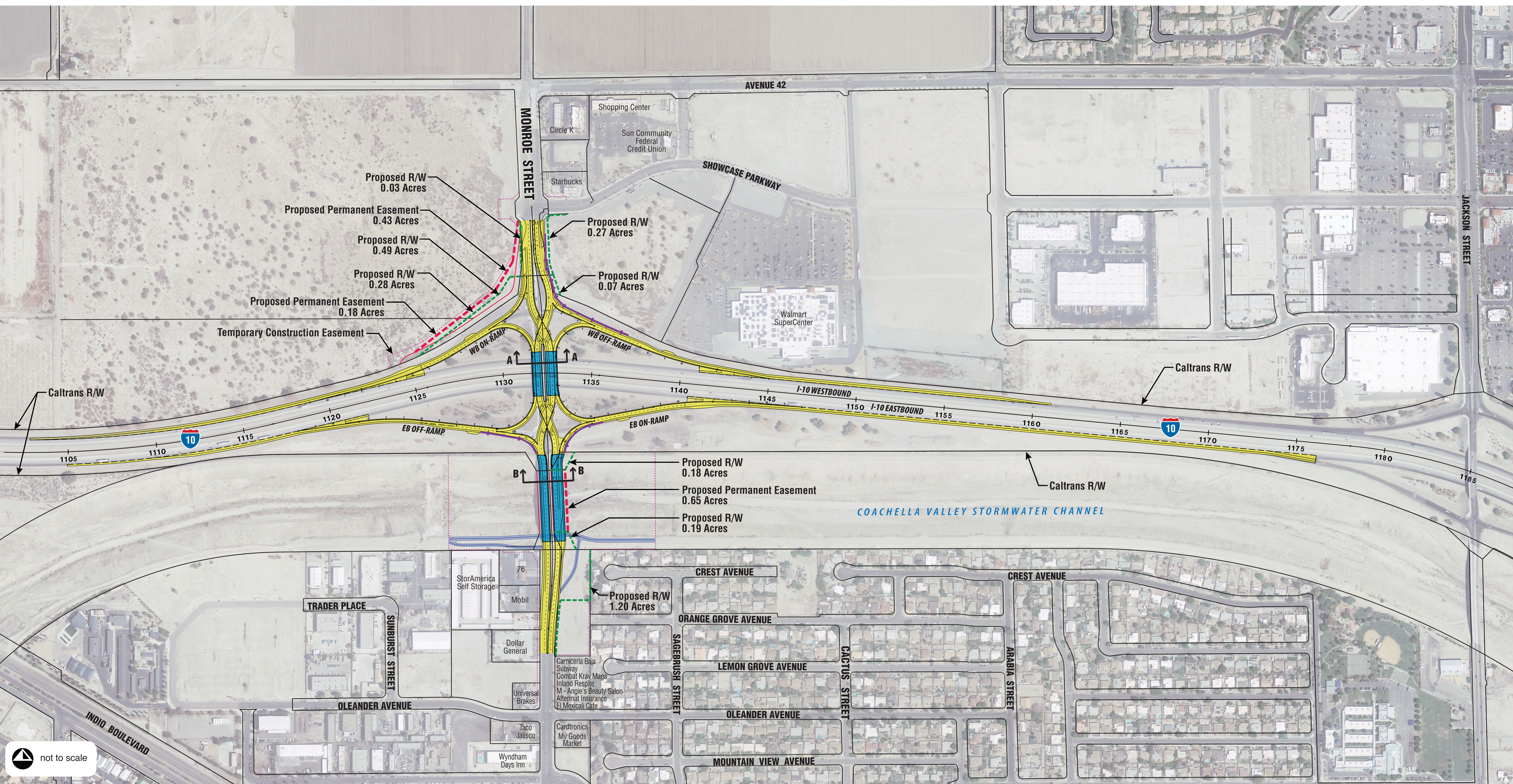
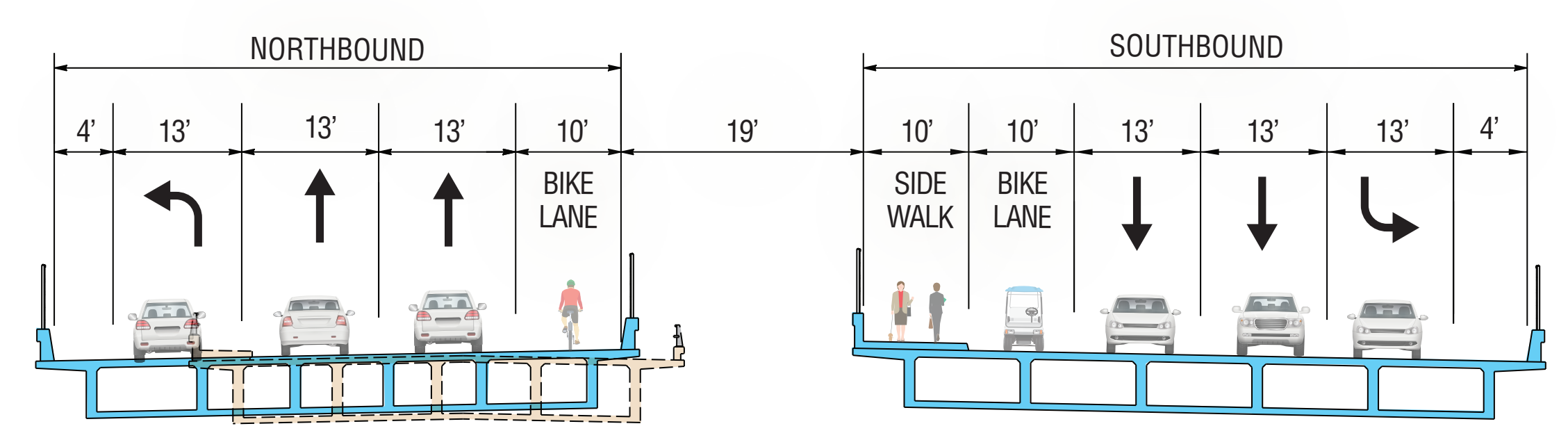


I-10/MONROE STREET INTERCHANGE PROJECT

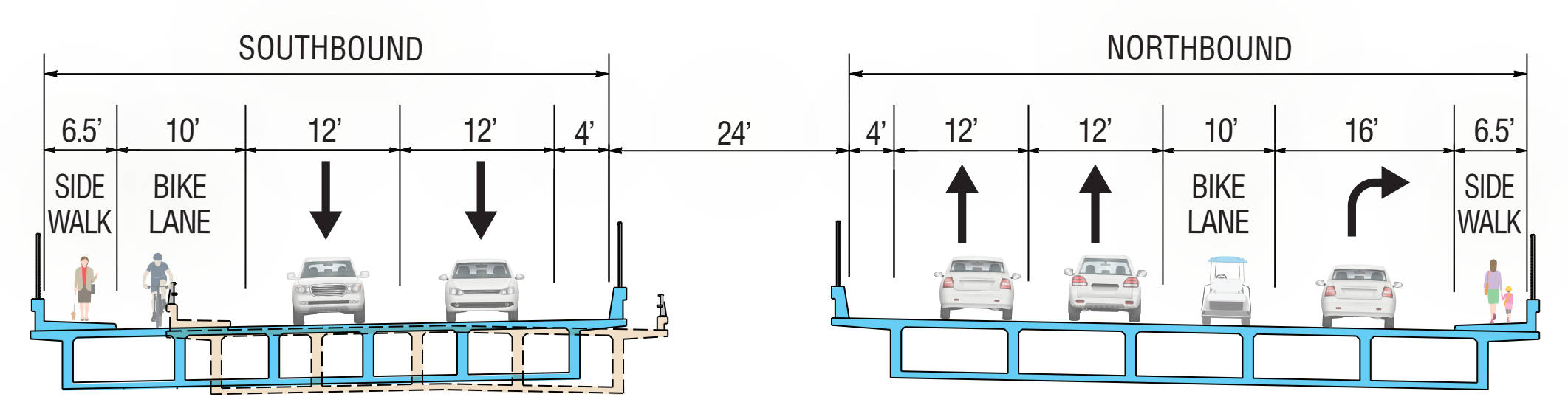
Alternative 4 - Diverging Diamond Interchange (DDI)



- LEGEND**
- EXISTING RIGHT-OF-WAY AND PARCELS
 - PROPOSED RIGHT-OF-WAY (R/W) (City or Caltrans)
 - EXISTING CITY EASEMENT
 - PROPOSED CITY EASEMENT
 - TEMPORARY CONSTRUCTION EASEMENT
 - PROPOSED RETAINING WALL
 - PROPOSED BRIDGE STRUCTURES
 - PROPOSED ROADWAY IMPROVEMENTS
 - PROPOSED CV LINK MODIFICATIONS



SECTION A-A
Monroe Street Overcrossing (I-10)



SECTION B-B
Monroe Street Channel Bridge

PRELIMINARY ENGINEERING NOT FOR CONSTRUCTION

